

**GPP PGS2**

**PARKING GUIDANCE SYSTEM  
WITH INFORMATION DISPLAYS**



## Product Description

GPP PGS2 is a system for guiding vehicles to available parking spaces, with the option of displaying information on navigation displays.

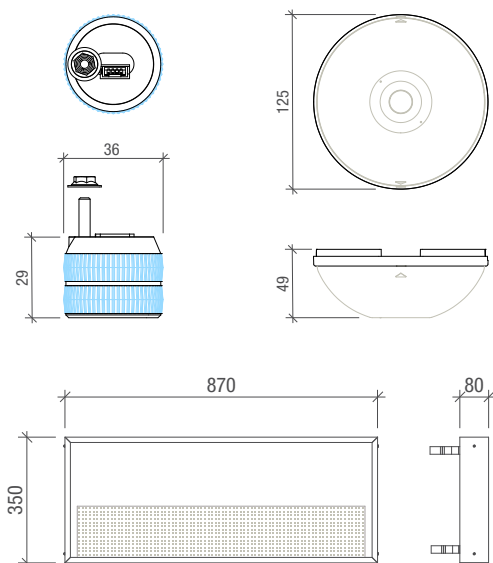
Ultrasonic sensors, cameras, or floor sensors are used to monitor individual parking spaces. Occupancy is then indicated by LED lights and information displays.

## Functions

- monitoring of parking space occupancy using ultrasonic sensors, cameras, or floor sensors
- indication of parking space status using three-color LED lights
- display of available spaces and directional guidance on information displays
- management and visualization of occupancy in the GPSW Visualizator software

## Parameters

- sensor detection range 0.5–5 m (recommended sensor installation height 2–3 m)
- information displays (up to 20 segments)
- signal lights with three colors (RGB)
- communication and power supply via PLC technology
- system capacity up to 2,000 elements in a tree structure



## Components

- GPP PGS2 Cu / Switch
  - control and distribution units for communication and power supply of system components
- GPP PGS2 Sen\*
  - ultrasonic sensor (detects parking space occupancy)
  - \*can be replaced by cameras or floor sensors
- GPP PGS2 Li
  - 3-color LED light (indication of parking space status)
- GPP PGS2 DiPLC
  - information displays (various sizes and designs)

## Technical Details – Sensor

Material	ABS
Dimensions	Ø 125 x 49 mm
Weight	< 0.1 kg
Detection Range	0.5–5 m

## Technical Details – Light

Technology	LED (RGB)
Material	PMMA + ABS
Dimensions	Ø 36 x 29 mm
Weight	< 0.1 kg

## Technical Details – Display

Technology	LED
Number of Segments	up to 20
Character Height	150 mm
Material	Anodized aluminum + PMMA
Dimensions & Weight	Based on no. of segments
Maximum Power Consumption	50 W per segment

Design and technical parameters are subject to change. Images may differ from actual products.